

FIG. 2

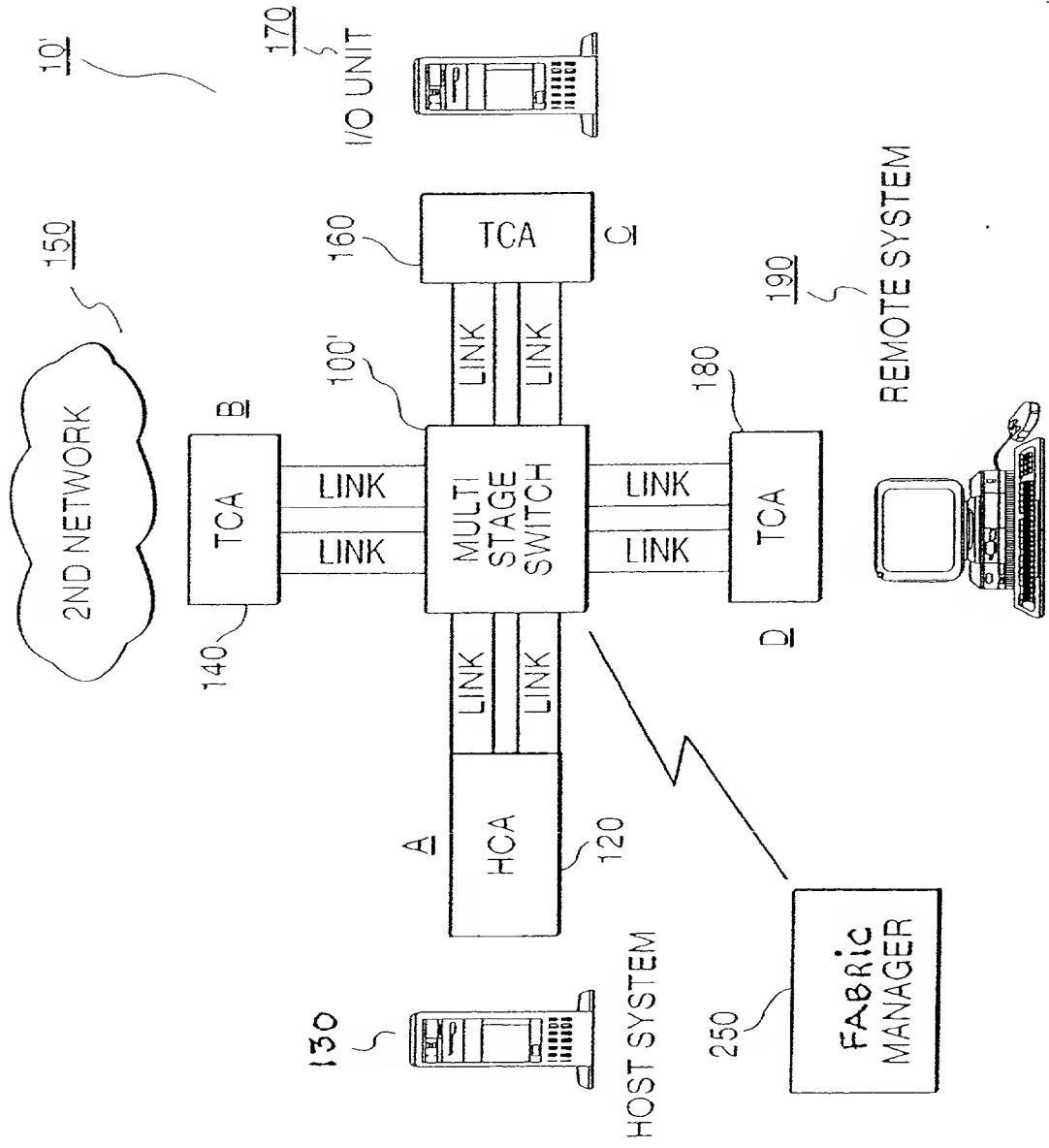


FIG. 4

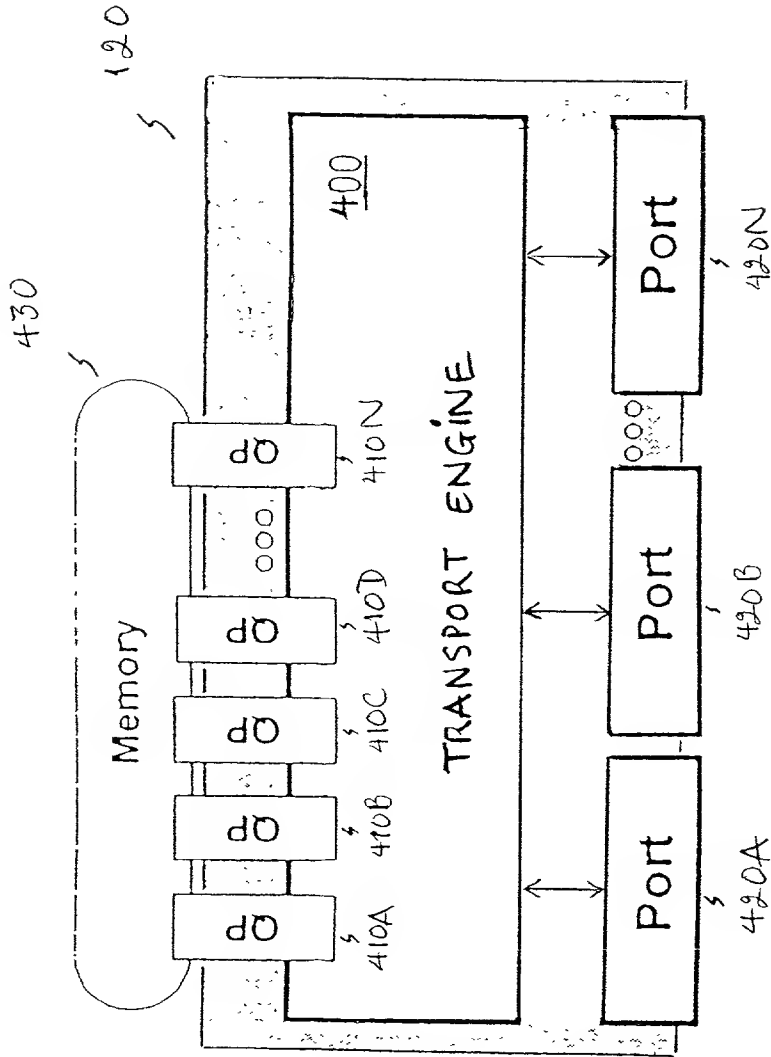


FIG. 5 is a schematic diagram of a network topology. The network includes a Server Module (SM) connected to Switch SA (2). Switch SA (2) is connected to EndNode eA (3) and Switch SC (5). Switch SC (5) is connected to EndNode eC (6) and EndNode eD (8). Switch SC (5) is also connected to Switch SB (11). Switch SB (11) is connected to EndNode eE (9) and EndNode eB (12). Switch SB (11) is connected to Router rA (13). Router rA (13) has an external connection indicated by a double-headed arrow. The network is labeled 500.

500

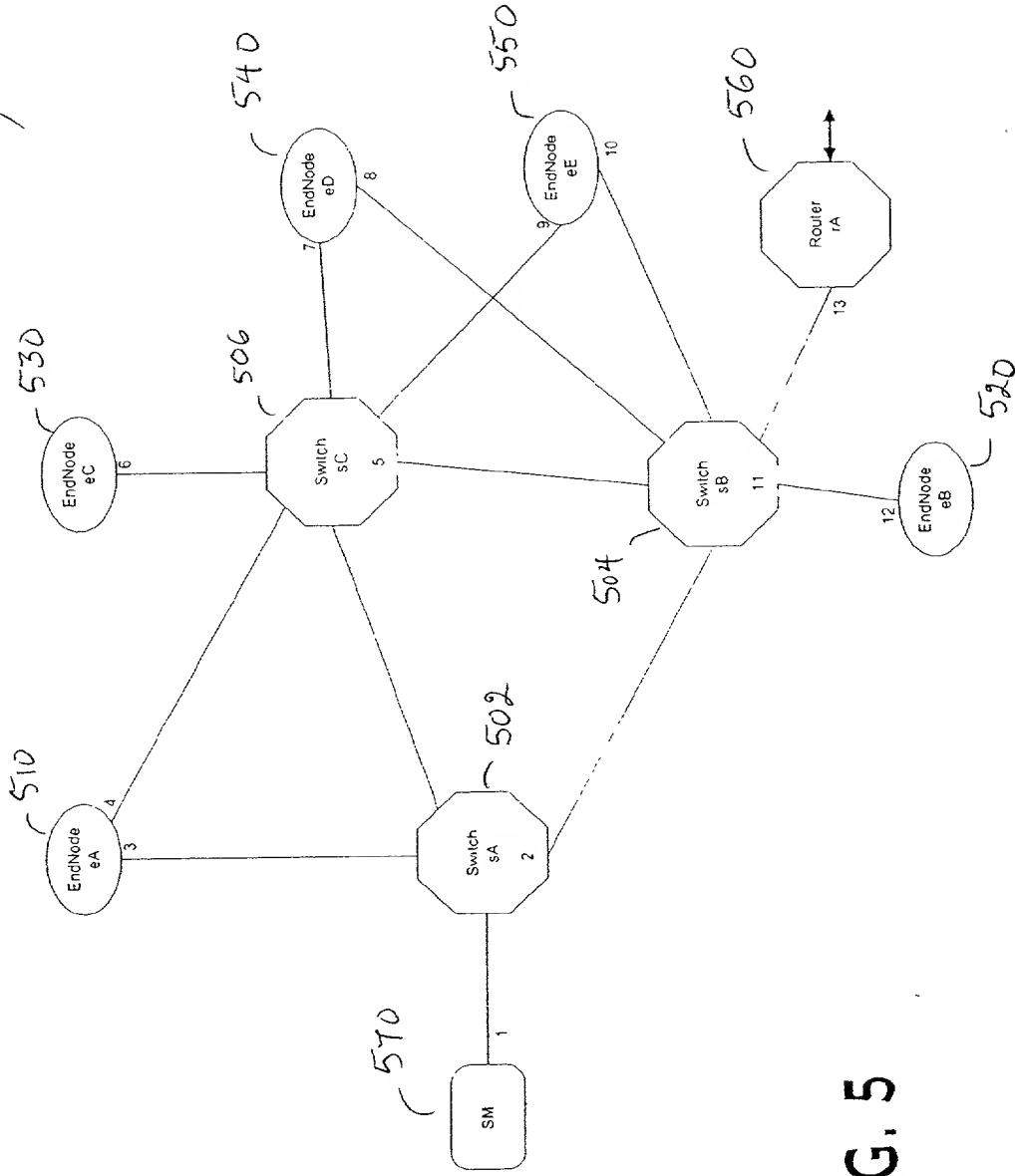


FIG. 5

FIG. 6

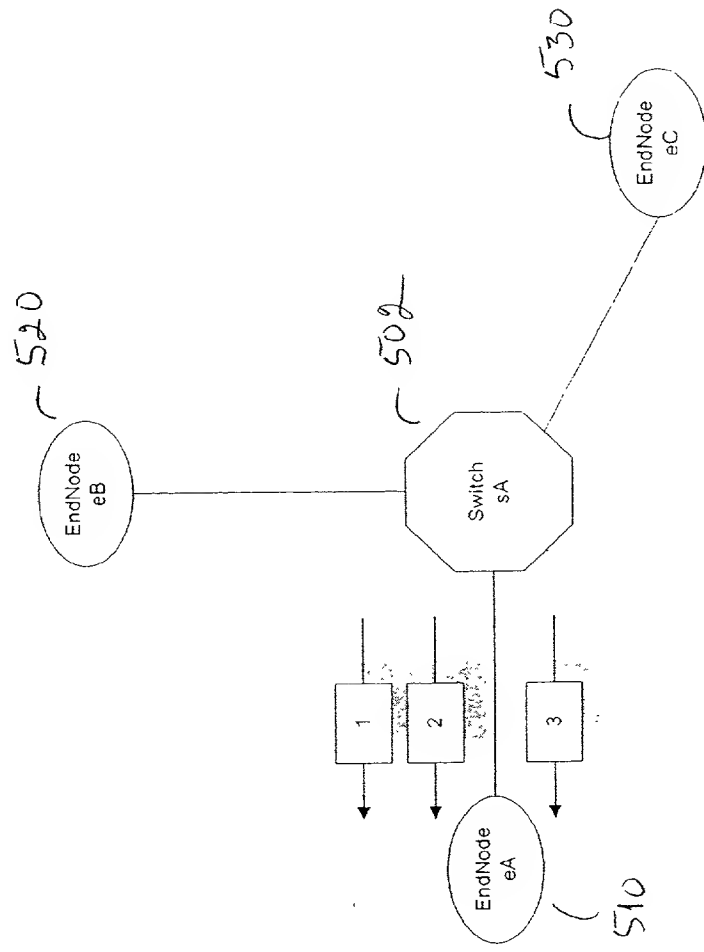


FIG. 7

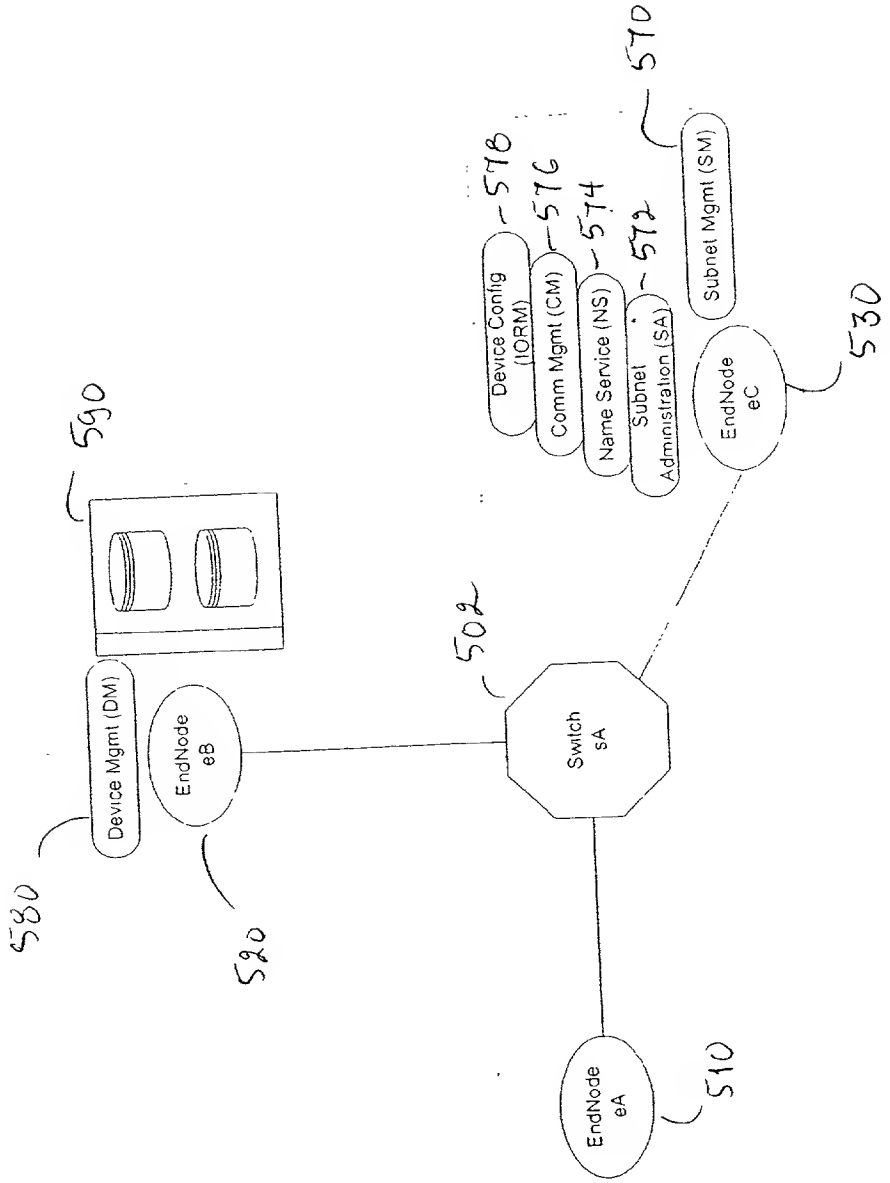


FIG. 8

Receiving Burst traffic:  
Flowchart:

